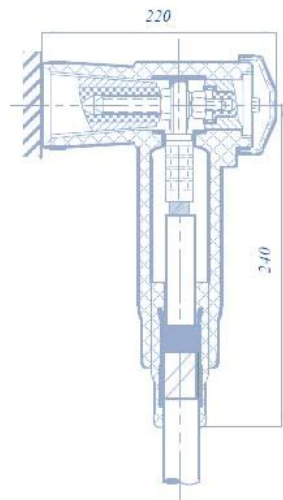


**T PLUS SEPARATE CONNECTOR  
(DEAD BREAK)**

**CABLE CONNECTOR  
12-24-35 kV/630A**

**TECHNICAL DATA**

Test Item	Unit	Connector		
		12kV	24kV	35kV
Rated Current	A	630	630	630
Voltage Withstand	kV/5min	39	54	117
Partial Discharging	kV ≤ 10pC	15	20	45
Load cycle Test	kV 500h	23	30	65
Impulse Voltage Withstand	kV	95	125	200
Negative Pole DC Voltage Withstand	kV/15min	35	48	104



**Front**



**Rear**

**12kV/630A SCREENED CONNECTOR**

Conductor Section (mm <sup>2</sup> )	Catalog No.	Strength Range (mm)	
		Min.	Max.
25 , 35	KLJH-1/1 KLJK-1/1	16.00	19.00
50, 70 95, 120	KLJH-1/1 KLJK-1/1	18.00	24.50
150, 185 240	KLJH-1/1 KLJK-1/1	24.00	30.50
300, 400	KLJH-1/1 KLJK-1/1	30.00	36.00

**24kV/630A SCREENED CONNECTOR**

Conductor Section (mm <sup>2</sup> )	Catalog No.	Strength Range (mm)	
		Min.	Max.
35, 50, 70 95, 120	3S-R-T24-630-F-221	18.00	26.50
150, 185, 240, 300, 400	3S-R-T24-630-F-222	26.00	37.50

**Front**



**Rear**

**3S-R 12 24/630 TPLUG FOR CABLE SCREEN CONNECTOR**

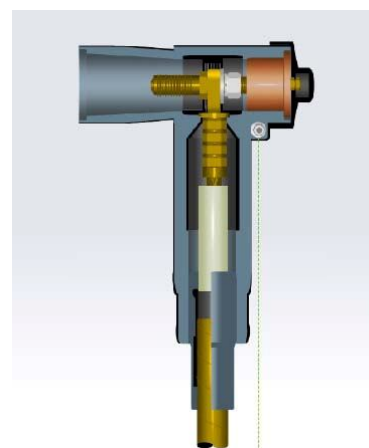
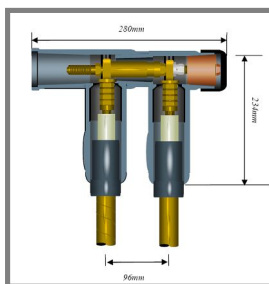


F : FRONT  
R : REAR

Conductor Section (mm <sup>2</sup> )	Order Code	Strength range (mm)	
		Min.	Max.
35 , 50 70 , 95 , 120	3S-R-T24-630-F-221	18.00	26.50
150 , 185 240 , 300 , 400	3S-R-T24-630-F-222	26.00	37.50
35 , 50 70 , 95 , 120	3S-R-T24-630-R-221	18.00	26.50
150 , 185 240 , 300 , 400	3S-R-T24-630-R-222	26.00	37.50

➤ APPLICATION

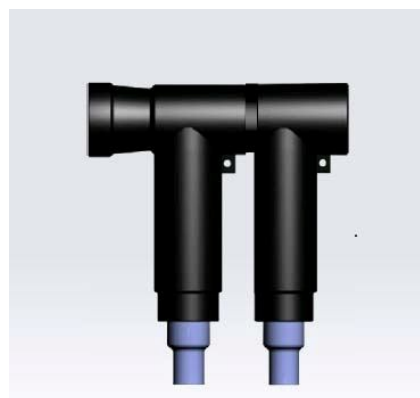
- Use the pushing technique to install the accessories.
- Suitable for single core and three cores 24kV XLPE cable with 35 – 400 mm<sup>2</sup> Cu or Al conductor section.
- Suitable for the terminate extruded screened cable other screened from
- Suitable for connecting with transformers switchgears and cable distribution boxes ect.



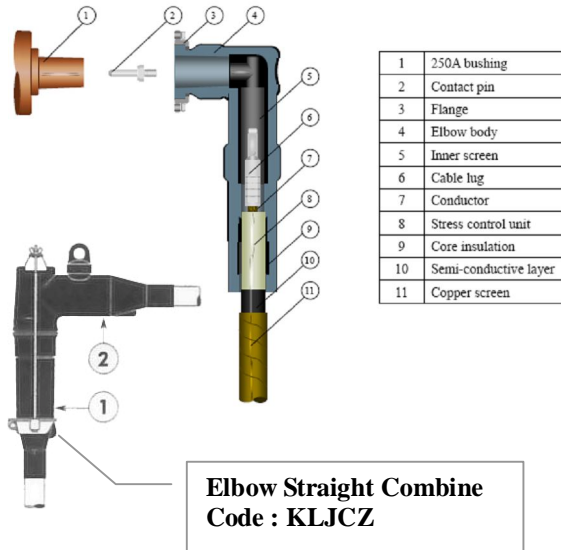
➤ STANDARD

**3S-R-T24-630-F ( Front ) & 3S-R-T24-630-R ( Rear )**

- Electrical properties : IE60502, GB/T12706.
- Busing – standard : EN50180, EN50181, DIN 47636.
- Designed to separable construction i.e. connector tube and stress cone
- Screened fully with the screening tube inside and the sprayed conductive layer connected to earth outside.



**ELBOW SEPARATE CONNECTOR** **CABLE CONNECTOR**  
12-24 kV/250A

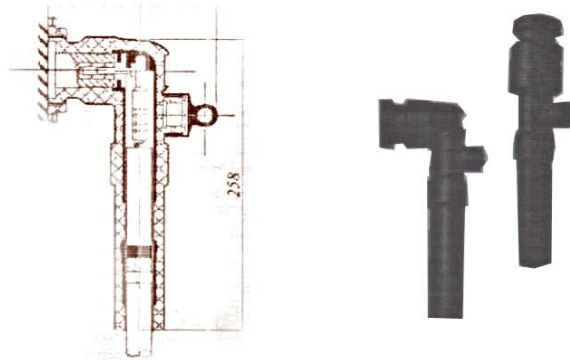


**TECHNICAL DATA**

Test Item	Unit	Connector	
		12kV	24kV
<b>Rated Current</b>	A	250	250
<b>Voltage Withstand</b>	kV/5min	39	54
<b>Partial Discharging</b>	kV ≤ 10pC	15	20
<b>Load cycle Test</b>	kV 500h	23	30
<b>Impulse Voltage Withstand</b>	kV	95	125
<b>Negative Pole DC Voltage Withstand</b>	kV/15min	35	48

**12-24kV/250A SCREENED CONNECTOR**

Conductor Section (mm <sup>2</sup> )	Catalog No.	Strength Range (mm)	
		Min.	Max.
25 , 35 50	KLJC-4-1	16.00	20.00
	KLJZ-4-1		
	KLJCZ -4-1		
70 , 95 120	KLJC-4-2	19.50	24.50
	KLJZ-4-2		
	KLJCZ-4-2		



- **KLJC – Elbow Screened Connector**
- **KLJZ – Straight Screened Connector**
- **KLJCZ – Elbow Straight Combine**

➤ **APPLICATION**

- Transformers, motor and especially for SF 6 switchgears.
- Indoor and outdoor installation.
- Operating voltage : 11 and 24 kV
- Nominal current : 250 A.
- Suitable for all polymeric insulated single conductor cable (PE, XLPE, EPR insulated).
- Cable sizes : 35 to 120 mm<sup>2</sup>.
- Suitable for aluminium and copper cables.
- Bushing A type.

➤ **TESTING**

- EPDM body to EN 50180 and EN 50181 standards.
- 100% tested for HV and PD (before delivery).
- Tested and complying to IEC 60502-4 (2005), IEC 61442 (2005) and HD 629-1-S2.

➤ **KIT**

Complete with three phase including bodies, compression cable lugs, contact pin, silicone grease, working instructions.

**ELBOW SEPARATE CONNECTOR** **CABLE CONNECTOR**  
12-24-35 kV/630A

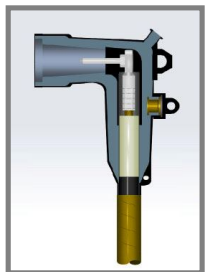
**TECHNICAL DATA**

Test Item	Unit	Connector		
		12kV	24kV	35kV
Voltage Withstand	kV/5min	39	54	117
Partial Discharging	kV ≤ 10pC	≤10/15 kV	≤10/10 kV	≤10/45 kV
Load cycle Test	kV 500h	23	30	65
Impulse Voltage Withstand	kV	95	125	200
DC Voltage Withstand	kV/15min	35	48	104



➤ **APPLICATION**

- Use the pushing technique to install the accessories.
- Suitable for 25kV single core and three cores XLPE cable of 35-120mm<sup>2</sup> Cu or Al conductor section.
- Suitable for the terminate extruded screened cable.
- Full insulation and full sealing suitable for areas with heavy pollution, high humidity and high salt-fog
- Suitable for connecting with transformers switchgears and outdoor cable distribution boxes ect.



**KJLC-2 25kV/200A ELBOW SCREENED CONNECTOR**

Conductor Section (mm <sup>2</sup> )	Catalog No.	Strength Range (mm)	
		Min.	Max.
35	KLJC-4E 25/1	18.00	20.50
35	KLJC-4E 25/2	18.00	20.50
70	KLJC-4E 25/3	18.00	20.50
95	KLJC-4E 25/4	18.00	20.50
120	KLJC-4E 25/1	18.00	20.50



LJ-2B 25kV200A BUSHING

➤ **STANDARD**

- Electrical properties : IEEE386 IEEEC60502 GB/T12706
- Bushing – standard : IEEE386

**OTHER ACCESSORIES**

200A Socket

Two ways Connecting Lug

Surge Elbow Arrester

Earthing Elbow Connector

600A MUTIJUNCTION

630A Connecting Lug

200A Insulating Protective Cap

200/600A MUTIJUNCTION

200/600A MUTIJUNCTION

600A Insulating Protective Cap

630A Bushing